

KPS Global's batten strips are a simple, cost-effective solution that quickly reseals and reinsulates panel joints. Order online at parts.kpsglobal.com or fill out the below and email to parts@kpsglobal.com. Contact us for custom size options.



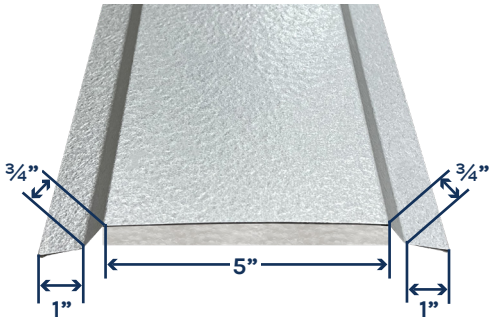
BATTEN KIT INCLUDES: Butyl, venture tape, silicone, metal batten, foam, screws

METAL MATERIAL: 26-gauge, aluminum-zinc alloy steel

FOAM MATERIAL: Expanded polystyrene (EPS) foam

LENGTH: 10-foot-long pieces, cut to size in field (**order extra battens for any seams longer than 10 feet**)

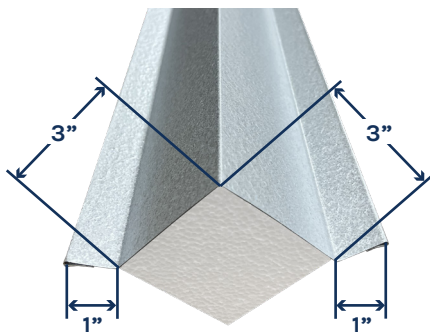
WALL/CEILING BATTEN KIT



Wall/ceiling battens can be installed on any internal or external seam on a wall or ceiling panel.

METAL COLOR	QUANTITY
White Embossed	_____
Natural Embossed (Gray)	_____

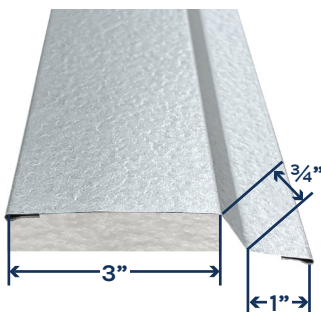
INTERIOR CORNER BATTEN KIT



Interior corner battens can be installed on any internal corner seam that occurs between wall or ceiling panels.

METAL COLOR	QUANTITY
White Embossed	_____
Natural Embossed (Gray)	_____

BASE BATTEN KIT



Base battens can be installed on any internal or external seam that occurs at the base of a wall panel.

METAL COLOR	QUANTITY
White Embossed	_____
Natural Embossed (Gray)	_____